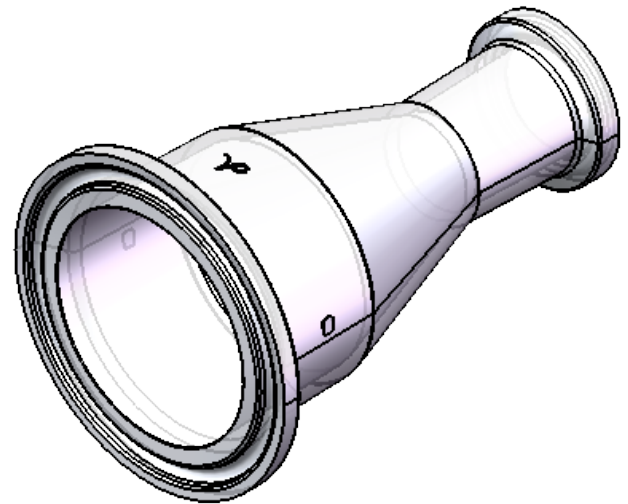
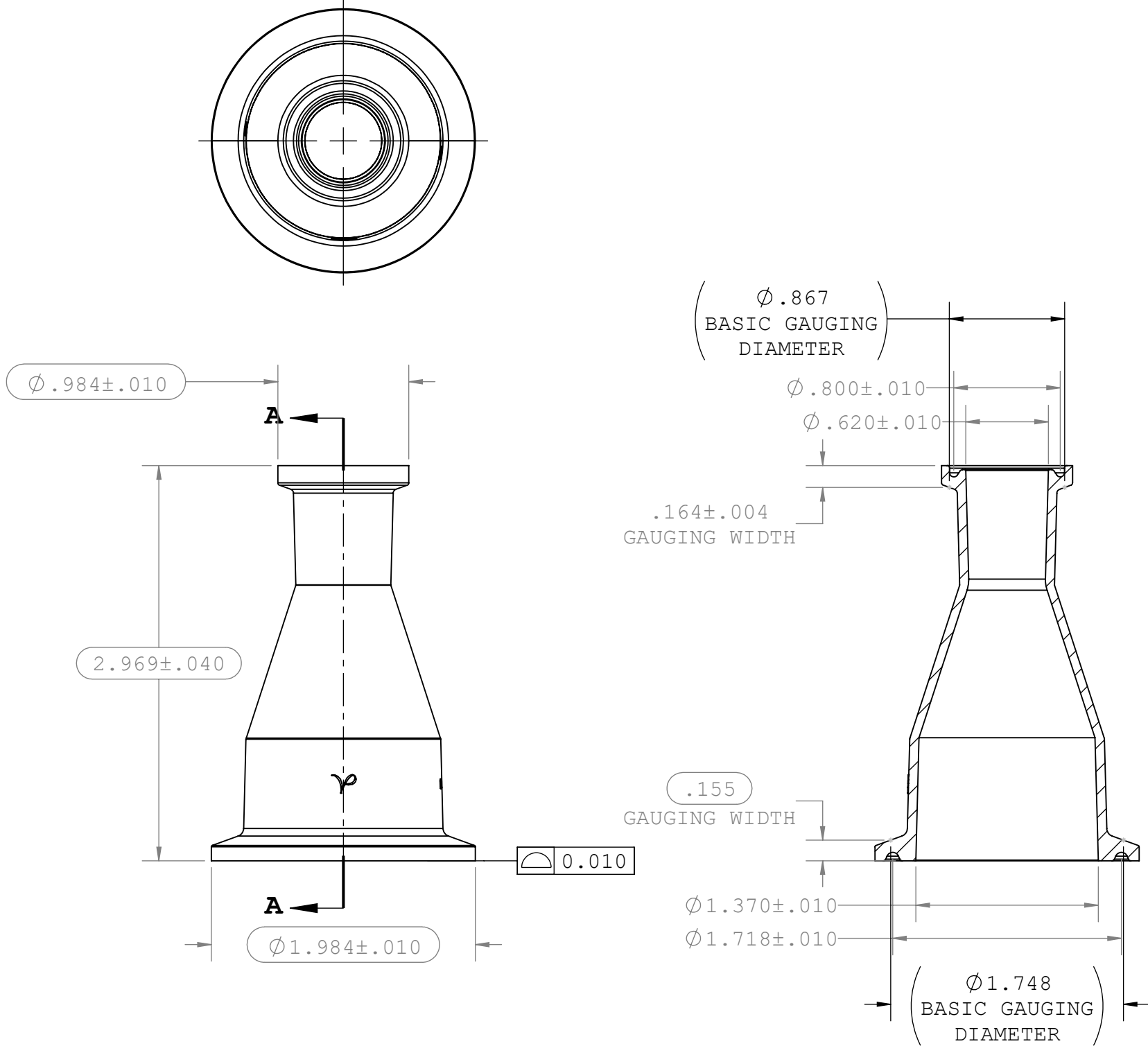


REVISIONS			
REV.	DESCRIPTION	DATE	APPROVED
A	INITIAL RELEASE	03-29-19	FJL
B	ECO 1080165	05-15-19	FJL
C	ECO 1654980	02-11-25	FJL



NOTES:

- FOR ADDITIONAL DETAILS, PLEASE CONTACT VP PRODUCT DEVELOPMENT
- DIMENSIONS MARKED ARE CONTROL DIMENSIONS
- ALL EXTERIOR SURFACES HAVE A MAXIMUM OF 20 Ra MICROINCH SURFACE FINISH
- ALL INTERIOR SURFACES HAVE A MAXIMUM OF 15 Ra MICROINCH SURFACE FINISH
- VALUE PLASTICS SFM SERIES FERRULES ARE DESIGNED TO COMPLY WITH ASME BPE-2022 TABLE DT-7.1-2 HYGIENIC CLAMP FERRULE STANDARD DIMENSIONS & TOLERANCES; DT-9.3-1 HYGIENIC CLAMP FERRULE: DESIGN CRITERIA. REF MC-4.2-1 PERFORMANCE FIGURE.
- ALL INTERIOR AND EXTERIOR SURFACE FINISHES COMPLY WITH ASME BPE-2022 TABLE SF-3.4-1 SFP2 Ra Readings for Polymeric Product Contact Surfaces

SECTION A-A

UNLESS OTHERWISE SPECIFIED DIMENSIONS ARE IN INCHES TOLERANCES ARE:		VALUE PLASTICS, INC			
FRACTIONS ±	DECIMAL .XX ±.01 .XXX ±.005 .XXXX ±.001	ANGULAR ± 1°	PART NUMBER: SFM150-SFM075		
DO NOT SCALE DRAWING			DESCRIPTION: Sanitary Fitting, Concentric Reducer 1-1/2" TC x 3/4" Mini TC		
DRAWN BY: J. Cha	DATE: 2/13/2025	SIZE: B	SCALE: NTS	VER: 1078642	REV: C
NEW PRODUCT DEVELOPMENT MGR: Frank.Lombardi		© 2007 VALUE PLASTICS, INC			SHEET: 1 OF 1

FOR REFERENCE ONLY